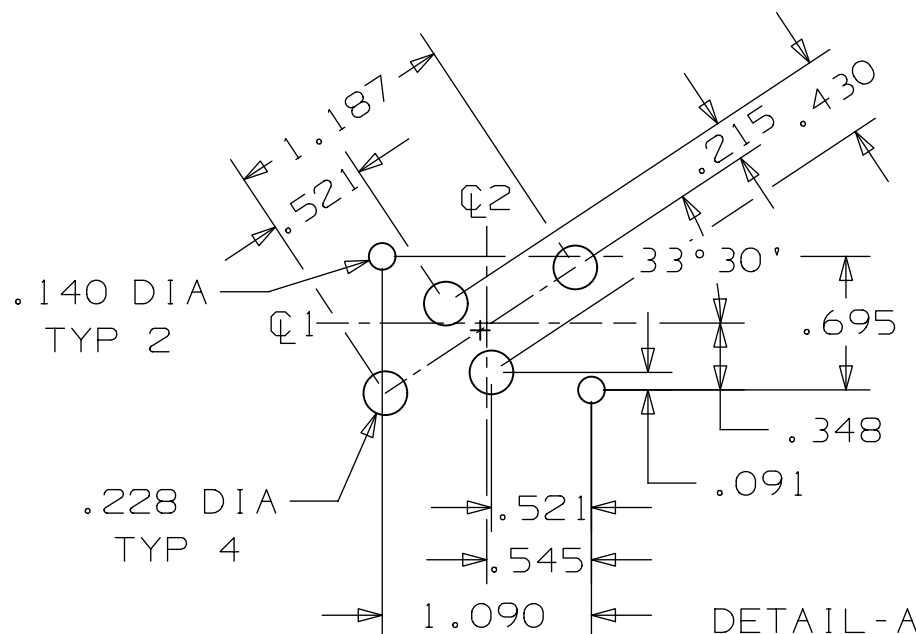
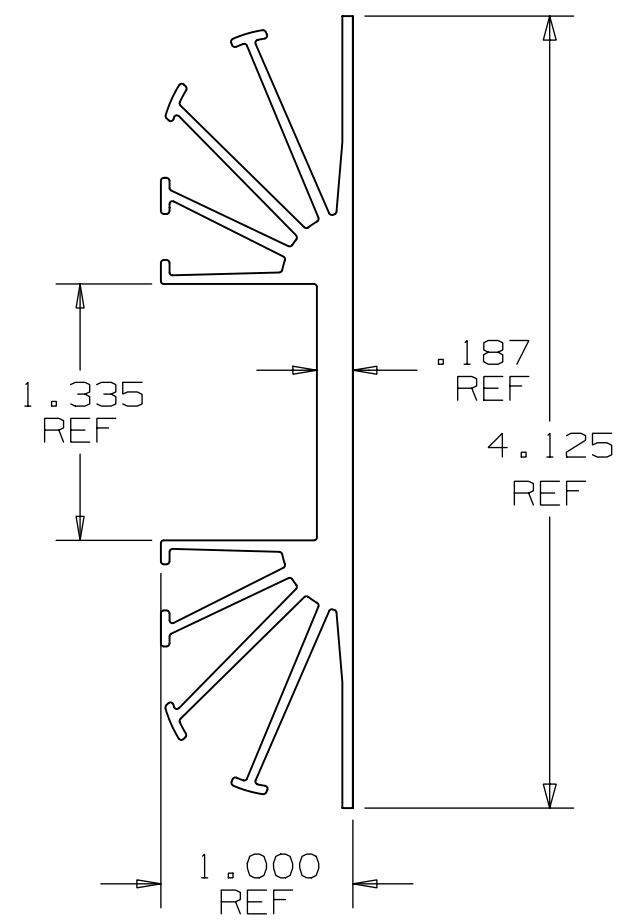
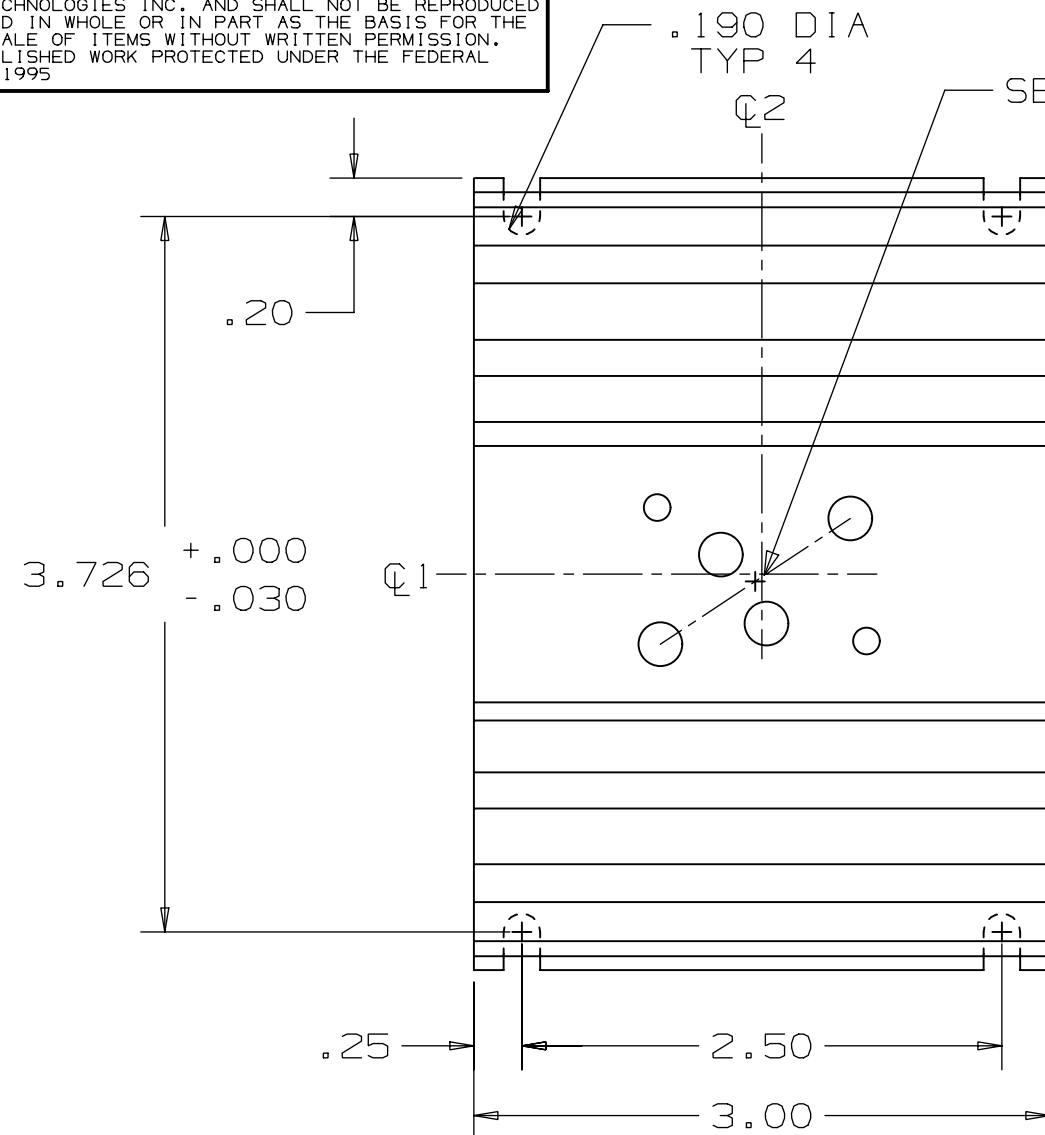


THIS DRAWING AND THE SPECIFICATIONS CONTAINED HEREIN ARE CONFIDENTIAL AND PROPRIETARY. THEY ARE THE PROPERTY OF AAVID THERMAL TECHNOLOGIES INC. AND SHALL NOT BE REPRODUCED OR COPIED OR USED IN WHOLE OR IN PART AS THE BASIS FOR THE MANUFACTURE OR SALE OF ITEMS WITHOUT WRITTEN PERMISSION. THIS IS AN UNPUBLISHED WORK PROTECTED UNDER THE FEDERAL COPYRIGHT LAWS. 1995



000492

REV.	DATE	DESCRIPTION	CHK'D
A	08/09/94	RELEASED PER ECO #2013	



FINISH	X
U/O	
MAT'L	600801F00000
TOLERANCE	UNLESS NOTED
.XX±	.015
.XXX±	.010
ANGULAR±	3°

DRAWING NO.		198540B00000		
STANDARD DESCRIPTION				
X				

DATE	DRAWN	CHK'D	APP'D	SCALE
08/09/94	PEC	EL	JD	2/1
SHEET				